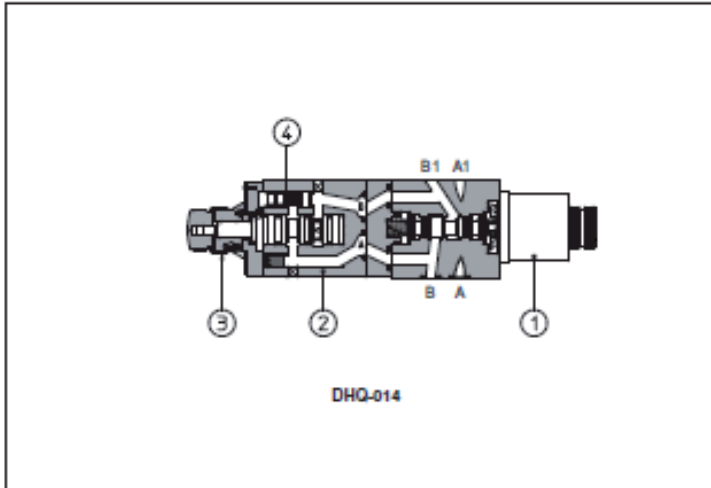


Eilgang- / Schleichgangventil / Soupape à action rapide / rampante

Modular fast/slow valves type DHQ

compensated flow control and by-pass solenoid valve, ISO 4401 size 06



DHQ are modular units composed by one by-pass solenoid valve (1) and one 2-way pressure compensated flow control valve (2) type QV-06 (tab. C210).

The flow control valve is provided with a built-in check valve (4) to allow the free flow in the opposite direction.

The flow adjustment is obtained by tuning the graduated micrometer knob (3). Clockwise rotation decreases the throttling (passage reduced).

Optional versions with locking key on the adjustment knob are available on request.

Mounting surface:
ISO 4401 size 06

Max controlled flow: up to 1,5-6-11-16-24 l/min (depending on models);

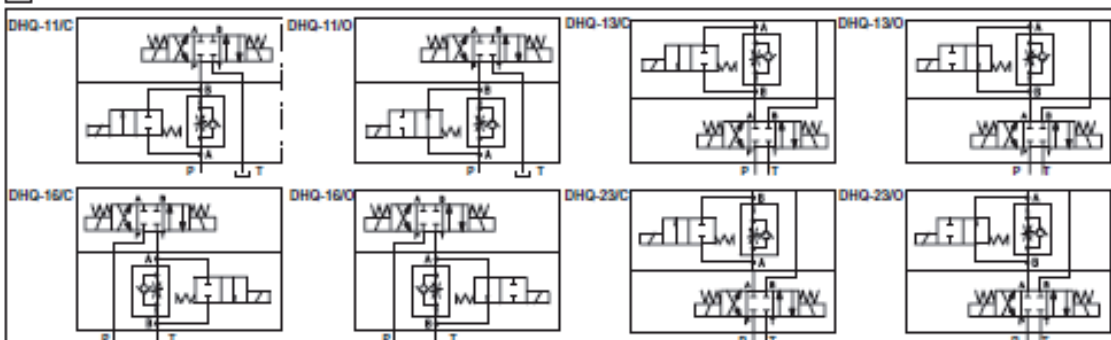
Free flow up to 36 l/min.

Max pressure: up to 250 bar

1 MODEL CODE

DHQ-0	13	C	6	K	I	X	24DC	**	*
Modular flow control unit, pressure compensated, size: DHQ-0 - 06							Supply voltage, see section [2]	Series number	Seals material, see section [3]: - = NBR PE = FKM BT = HNBR
Configuration, see section [2] control of flow discharged from the actuator 13 = on port A 14 = on port B 16 = on port T control of flow entering the actuator: 11 = on port P 23 = on port A 24 = on port B						X = without connector (1): See section [2] for available connectors, to be ordered separately 00 = solenoid valve without coils			
C = flow controlled when solenoid is de-energized O = flow controlled when solenoid is energized						Type of solenoid: I = solenoid OI for AC and DC supply with CURUS certification			
						Options: K = with lock key for the setting knob V = without by-pass check valve			
						Maximum adjustable controlled flow: 1 = 1,5 l/min; 6 = 6 l/min; 11 = 11 l/min; 16 = 16 l/min; 24 = 24 l/min 00 = without flow control valve			

2 HYDRAULIC CHARACTERISTICS



DHQ-014*, DHQ-024* are similar to corresponding DHQ-013*, DHQ-023* but control the flow through port B of solenoid valve

Valve model	/1	/6	/11	/16	/24
Max regulated flow [l/min]	1,5	6	11	16	24
Min regulated flow [cm³/min]	50	50	50	50	50
Regulating Δp [bar]	3	3	5	6,5	8
Max flow through check valve [l/min]	24				
Max free flow	36 l/min				
Max flow on port A [l/min]	24				
Max pressure [bar]	250				

Eilgang- / Schleichgangventil / Soupape à action rapide / rampante

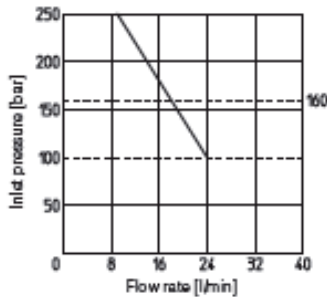
3 MAIN CHARACTERISTICS, SEALS and HYDRAULIC FLUID - for other fluids not included in below table, consult our technical office

Assembly position / location	Any position		
Subplate surface finishing	Roughness index Ra 0,4 - flatness ratio 0,01/100 (ISO 1101)		
Ambient temperature	Standard execution = -30°C ÷ +70°C /PE option = -20°C ÷ +70°C /BT option = -40°C ÷ +70°C		
Seals, recommended fluid temperature	NBR seals (standard) = -20°C ÷ +60°C, with HFC hydraulic fluids = -20°C ÷ +50°C FKM seals (/PE option) = -20°C ÷ +80°C HNBR seals (/BT option) = -40°C ÷ +80°C, with HFC hydraulic fluids = -40°C ÷ +50°C		
Recommended viscosity	15-100 mm ² /s - max allowed range 2.8 ÷ 500 mm ² /s		
Fluid contamination class	ISO 4406 class 21/10/16 NAS 1638 class 10, in line filters of 25 µm (β10 ≥75 recommended)		
Hydraulic fluid	Suitable seals type	Classification	Ref. Standard
Mineral oils	NBR, FKM, HNBR	HL, HLP, HLPD, HVL, HVLP, HVLPD	DIN 51524
Flame resistant without water	FKM	HFDR, HFDR	ISO 12922
Flame resistant with water	NBR, HNBR	HFC	

4 ELECTRIC/ELECTRONIC CONNECTORS AND ELECTRIC FEATURES

For electric/electronic connectors (to be ordered separately) and electric features of DHQ units, see tab. E010.

5 OPERATING LIMITS



6 INSTALLATION DIMENSIONS [mm]

ISO 4401: 2006
 Mounting surface: 4401-03-02-0-05
 Diameter of ports P, A, B, T: Ø = 7,5 mm (max)
 Seals: 4 OR 108

Fastening bolts: 4 socket head screws M5.
 The length depends on number and type of modular elements associated

View from X

QV-06 SOLENOID

Mass: 2,5 kg

In versions -014 and -024 the position of valve QV-06 and of solenoid are inverted.

Overall dimensions refer to valves with connectors type 686